

Qty. Description

1 JPD 4-47 PT-V A-A-BBVP



Note! Product picture may differ from actual product

Product No.: On request

The JPD PT-V is a self-priming centrifugal booster unit for suction up to 27 meters. It consists of a JPD pump, a pressure switch, a pressure gauge, a diaphragm tank. The pump body is made of cast iron. The high suction is achieved by means of an ejector to be inserted into wells as narrow as 10cm (4") diameter. The JPD PT is available with an 18-litre vertical diaphragm tank

Liquid:

Pumped liquid: Water
 Liquid temperature range: 0 .. 35 °C
 Selected liquid temperature: 20 °C
 Density at selected liquid temperature: 998.2 kg/m³

Technical:

Primary shaft seal: BBVP
 Approvals on nameplate: CE, SNI
 Curve tolerance: ISO9906:2012 3B

Materials:

Pump housing: Cast iron
 EN 1561 EN-GJL-200
 Impeller: Composite

Installation:

Range of ambient temperature: -10 .. 40 °C
 Maximum operating pressure: 6 bar
 Pump inlet: G 1
 Pump outlet: G 1

Electrical data:

Power input - P1: 860 W
 Mains frequency: 50 Hz
 Rated voltage: 1 x 220-240 V
 Rated current: 4.22 A
 Capacitor size - run: 13 µF/450 V
 Enclosure class (IEC 34-5): IP44
 Insulation class (IEC 85): F
 Length of cable: 2 m
 Type of cable plug: SCHUKO

Tank:

Volume of pressure tank: 18 l

Others:

Net weight: 17 kg



Company name: Vinabom.com - 0978.702.058 - 096.18.13.114

Created by:

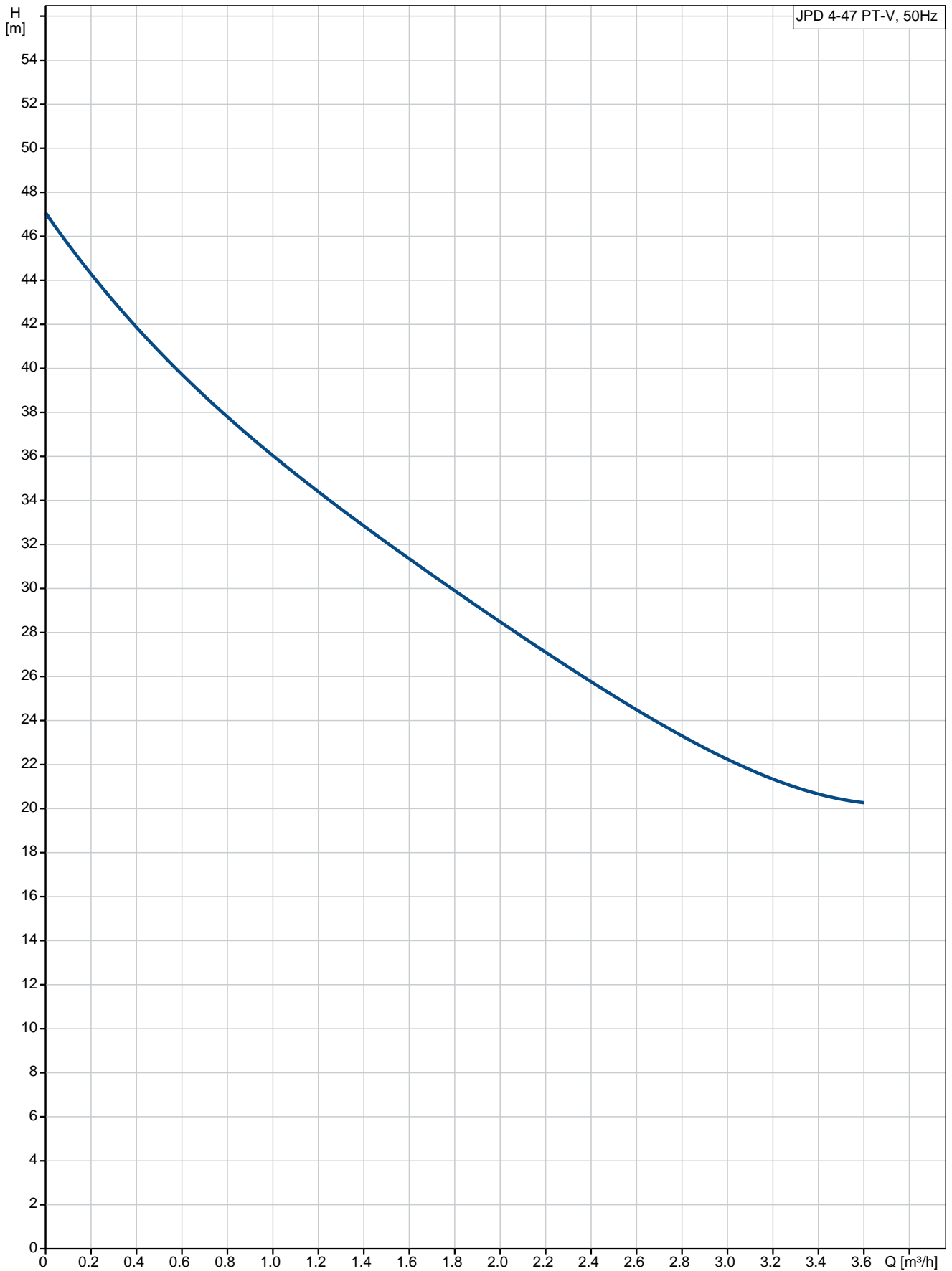
Phone:

Date: 10/12/2019

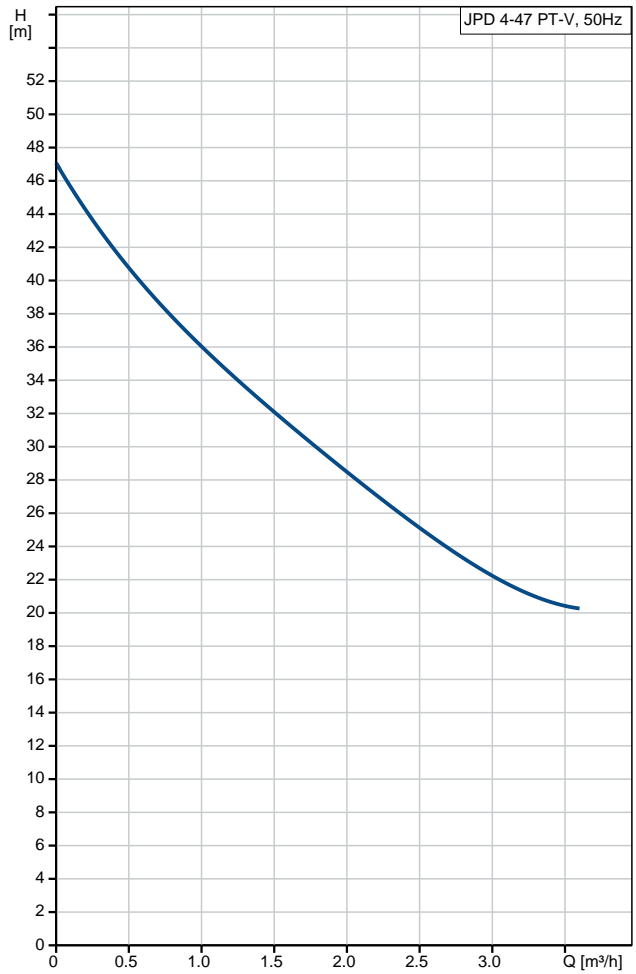
Qty.	Description
------	-------------

	Gross weight: 20 kg Custom tariff no.: 84137041
--	--

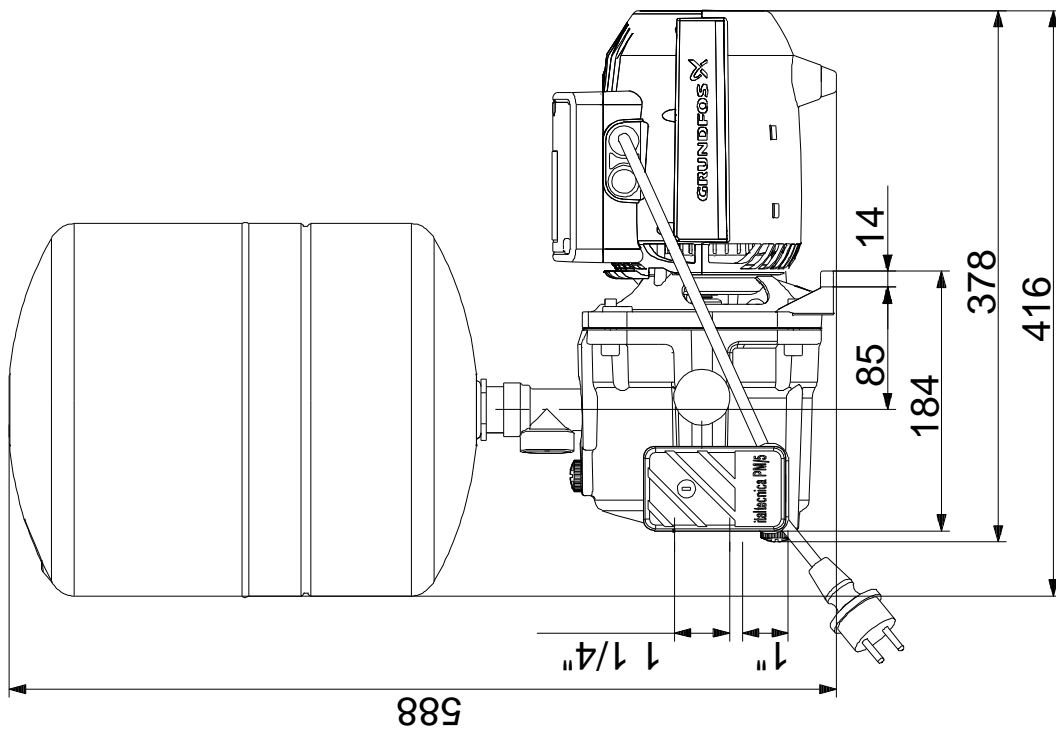
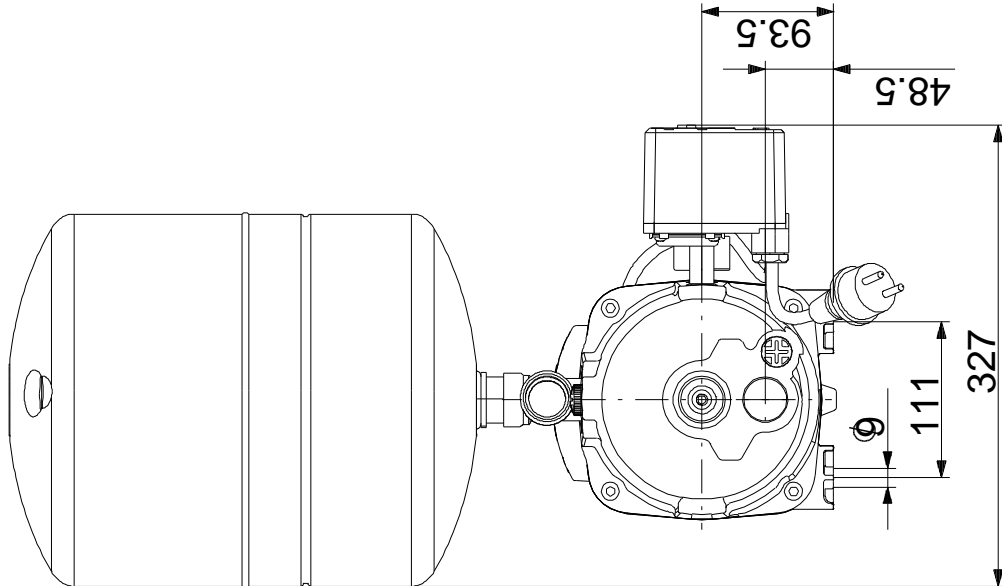
On request JPD 4-47 PT-V A-A-BBVP 50 Hz



Description	Value
General information:	
Product name:	JPD 4-47 PT-V A-A-BBVP
Product No:	On request
EAN number:	On request
	On request
Technical:	
Head max:	47 m
Primary shaft seal:	BBVP
Approvals on nameplate:	CE,SNI
Curve tolerance:	ISO9906:2012 3B
Pump version:	A
Model:	A
Materials:	
Pump housing:	Cast iron
	EN 1561 EN-GJL-200
Impeller:	Composite
Material code:	A
Installation:	
Range of ambient temperature:	-10 .. 40 °C
Maximum operating pressure:	6 bar
Pump inlet:	G 1
Pump outlet:	G 1
Liquid:	
Pumped liquid:	Water
Liquid temperature range:	0 .. 35 °C
Selected liquid temperature:	20 °C
Density at selected liquid temperature:	998.2 kg/m ³
Electrical data:	
Power input - P1:	860 W
Mains frequency:	50 Hz
Rated voltage:	1 x 220-240 V
Rated current:	4.22 A
Capacitor size - run:	13 µF/450 V
Enclosure class (IEC 34-5):	IP44
Insulation class (IEC 85):	F
Length of cable:	2 m
Type of cable plug:	SCHUKO
Tank:	
Volume of pressure tank:	18 l
Others:	
Net weight:	17 kg
Gross weight:	20 kg
Custom tariff no.:	84137041

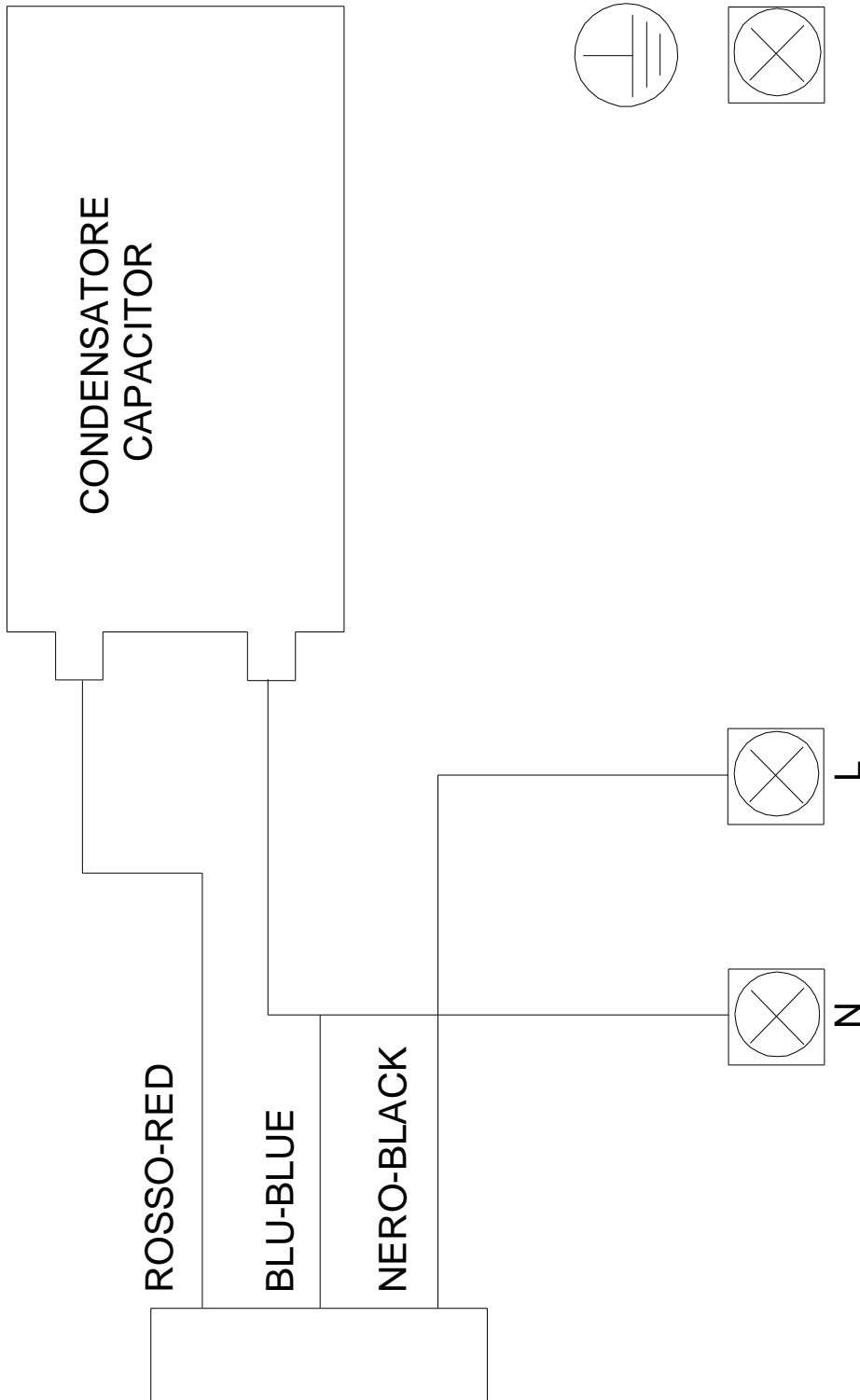


On request JPD 4-47 PT-V A-A-BBVP 50 Hz



Note! All units are in [mm] unless others are stated.
Disclaimer: This simplified dimensional drawing does not show all details.

On request JPD 4-47 PT-V A-A-BBVP 50 Hz



Note! All units are in [mm] unless others are stated.