

Jet pumps and boosters

50/60 Hz













be
think
innovate

GRUNDFOS 

1. Product overview	3
2. Product description	5
Introduction	5
Installation	6
Identification	7
3. JP 5 and JP 6 pumps and boosters	9
JP 5, JP 6	9
JP 5 PM, JP 6 PM	11
JP 5, JP 6 PT	12
4. JPA pumps and boosters	13
General data	13
JPA PM	15
JPA PT	16
5. JPC pumps and boosters	17
General data	17
JPC PM	20
JPC PT	21
6. JPD boosters	22
JPD PT	22
7. Product numbers	25
8. Accessories	28
Grundfos Pressure Manager	28
Grundfos pressure tanks	29
9. Grundfos Product Center	30

1. Product overview

Pump	Description	Technical data	Page
JP 5 and JP 6 pumps and boosters			
JP 5, JP 6			
	Self-priming pump for water supply and transfer in applications such as: <ul style="list-style-type: none"> • single- and two-family houses • gardens. 	Maximum suction lift: 7 m Maximum head: 57 m Maximum flow rate: 5 m Pump body: stainless steel	9
JP 5 PM, JP 6 PM			
	JP 5 or JP 6 pump with a Pressure Manager Features <ul style="list-style-type: none"> • Anticycling • dry-running protection • automatic start/stop. 	Maximum suction lift: 7 m Maximum head: 57 m Maximum flow rate: 5 m Pump body: stainless steel	11
JP 5 PT, JP 6 PT			
	JP 5 or JP 6 pump with a pressure tank and pressure switch Features <ul style="list-style-type: none"> • Automatic start/stop • constant water supply. 	Maximum suction lift: 7 m Maximum head: 57 m Maximum flow rate: 5 m Pump body: stainless steel Tank: 18, 24, 60 l, horizontal	12
JPA pumps and boosters			
JPA			
	Self-priming pump for water supply and transfer in applications such as: <ul style="list-style-type: none"> • single- and two-family houses • gardens • small-scale agriculture • industrial greenhouses. 	Maximum suction lift: 8 m Maximum head: 62 m Maximum flow rate: 12 m Pump body: cast iron	13
JPA PM			
	JPA pump with a PM pressure manager Features <ul style="list-style-type: none"> • Anticycling • dry-running protection • automatic start/stop. 	Maximum suction lift: 8 m Maximum head: 54 m Maximum flow rate: 4 m Pump body: cast iron	15
JPA PT			
	JPA pump with a pressure tank and pressure switch. The pressure tank is available in a horizontal or vertical version. Features <ul style="list-style-type: none"> • Automatic start/stop • constant water supply. 	Maximum suction lift: 8 m Maximum head: 54 m Maximum flow rate: 4 m Pump body: cast iron Tank: 18 l vertical, 20 l horizontal	16

Pump	Description	Technical data	Page
JPC pumps and boosters			
JPC			
	Self-priming pump for water supply and transfer in applications such as: <ul style="list-style-type: none"> • single- and two-family houses • gardens. 	Maximum suction lift: 8 m Maximum head: 54 m Maximum flow rate: 4 m Pump body: composite material	17
JPC PM			
	JPC pump with a PM pressure manager Features: <ul style="list-style-type: none"> • Anticycling • dry-running protection • automatic start/stop. 	Maximum suction lift: 8 m Maximum head: 54 m Maximum flow rate: 4 m Pump body: composite material	20
JPC PT			
	JPC pump with a pressure tank and pressure switch Features <ul style="list-style-type: none"> • Automatic start/stop • constant water supply. 	Maximum suction lift: 8 m Maximum head: 54 m Maximum flow rate: 4 m Pump body: composite Tank: 18 l vertical	21
JPD boosters for deep-well applications			
JPD PT			
	Self-priming pump with a pressure tank, a pressure switch and an external ejector for deep-well applications. The booster is suitable for water supply and transfer in applications such as: <ul style="list-style-type: none"> • farmhouses • small-scale agriculture. Features <ul style="list-style-type: none"> • Suction lift up to 27 metres • constant water supply • automatic start/stop. 	Maximum suction lift: 27 m Maximum head: 62 m Maximum flow rate: 12 m Pump body: cast iron Tank: 18 l vertical	22

2. Product description

Introduction

Grundfos offers jet pumps for a wide range of domestic applications such as water supply to single- and two-family houses, gardens and small-scale agriculture. The jet pumps ensure a constant supply of water to your home and garden. Grundfos offers four different product types which include a jet pump:

- separate jet pumps
- booster solutions which include a jet pump and a Pressure Manager
- booster solutions which include a jet pump, a pressure switch and a pressure tank
- booster solutions which include a jet pump, a pressure switch, a pressure tank and an external ejector nozzle for deep-well applications.

Jet pumps

The jet pumps are self-priming centrifugal pumps designed for long and trouble-free operation. A jet pump has an excellent suction capacity and is self-priming thanks to the built-in ejector.

The pump is small, handy and easy to move around, which makes it suitable for various applications.



TM01 4595 3502 - TM05 5205 3412
Gr1045 - TM06 5410 4515

Fig. 1 JP 5, JP 6, JPC, JPA

Boosters

The boosters are compact systems for domestic water supply. The boosters consist of a Grundfos jet pump and a pressure control unit. The pressure control unit gives more comfort to the user, as it allows the pump to start and stop automatically according to demand.

The boosters are divided into two main groups, i.e. jet pumps with Pressure Manager and jet pumps with a pressure tank.

Booster with Pressure Manager

The Pressure Manager comes in two versions:

- a basic version, PM 1
- an advanced version, PM 2.

They both have the following features:

- anticycling
- automatic start/stop
- dry-running protection
- integrated non-return valve.



TM05 5989 4312 - TM05 8007 1813

Fig. 2 JP 5/6 PM, JPA PM, JPC PM

Booster with pressure tank

The booster consists of a pressure switch, a pressure gauge and a diaphragm tank.

The pressure switch automatically starts the pump according to demand. The diaphragm tank ensures a constant water pressure in the water supply and thereby limits the number of starts in case of low water consumption or leakage loss. Furthermore, the diaphragm tank increases system comfort by compensating for pressure drops when a tap is opened, and finally it reduces problems with water hammer in the pipework.



TM05 5987 4312 -
TM05 8225 2113 -
TM06 5409 4515

Fig. 3 JP 5/6 PT, JPC PT, JPA PT, JPD PT

Pumped liquids

Jet pumps and boosters are suitable for pumping clean, thin, non-aggressive and non-explosive liquids without solid particles or fibres. Examples of liquids:

- potable water
- rainwater.

If the pumps are used for pumping unclean liquids, such as pool water, they must subsequently be flushed with clean water. The pumps must not be used for transfer of diesel oil or other oil-containing liquids. Sand and other impurities in the water cause wear to the pump.

Installation

Mechanical installation

Placing the pump above ground is generally a convenient way of establishing a water or rainwater supply.

Place the pump as close as possible to the water supply to make the inlet pipe as short as possible.

If a hose is used as inlet pipe, it must be non-collapsible. To prevent solids from entering the pump, we recommend that you fit a strainer to the inlet pipe.

Inlet pipe

Although dry-installed pumps have been designed for optimum suction capacity, a few limitations apply to the inlet pipe.

The length of the inlet pipe must not exceed the length stated in fig. 4. The maximum length depends on the geodetic suction lift. As shown in the example below, if the suction lift is 2.5 metres, the length of the inlet pipe must not exceed 25 metres.

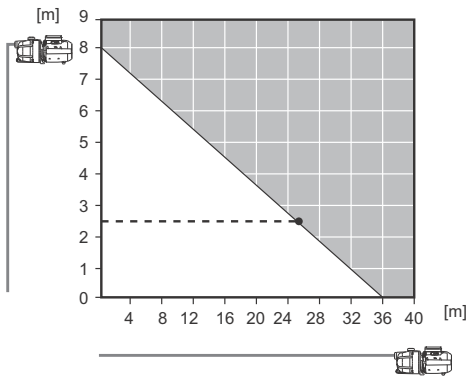


Fig. 4 Recommended maximum suction lift and maximum inlet pipe length (Y-axis)

Install the inlet pipe so as to avoid bends, air pockets and any unnecessary restrictions to the flow. See fig. 5.

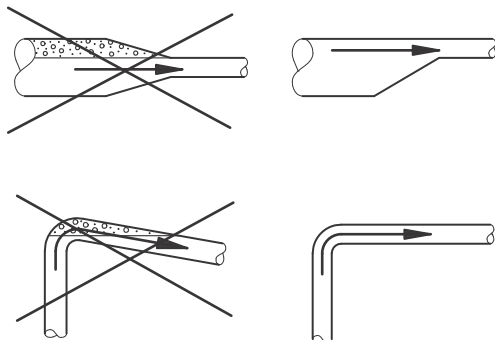


Fig. 5 Pipework recommendations

Long inlet pipes affect the performance of the pump. The diameter of the inlet pipe must not be smaller than that of the inlet port. If the inlet pipe is longer than 10 metres or the suction lift is greater than 4 metres, the diameter of the inlet pipe must be larger than that of the inlet port.

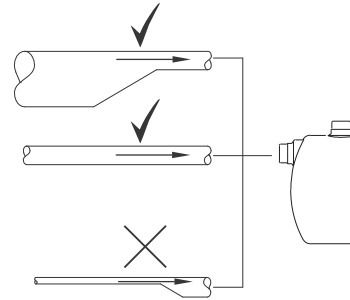


Fig. 6 Recommended size of the inlet pipe

If there is a suction lift, we recommend that you install a non-return valve in the inlet pipe.

The time from the pump is started until it delivers water depends on the length of the inlet pipe and on the suction lift.

Operation limitations

The maximum inlet pressure depends on the pump head at the actual duty point. The sum of the inlet pressure and the pump head must not exceed the maximum system pressure.

In order to protect the pump, it can be fitted with a pressure relief valve, which ensures that the outlet pressure does not exceed the maximum system pressure.

Electrical installation

The electrical connection and protection must be carried out in accordance with local regulations.

- The pump must be connected to an external mains switch with a minimum contact gap of 3 mm in all poles.
- Make sure that the pump and pressure control unit are suitable for the power supply to which they are to be connected.
- The pump and pressure control unit must always be earthed.
- One-phase pumps incorporate thermal protection and therefore require no external protection.
- Three-phase pumps require external motor protection in accordance with the applicable regulations.
- The electrical installation of the pressure control unit must be carried out so as to ensure that the enclosure class is maintained.

TM05 8227 2113

TM05 5626 3812

TM04 0438 0608

Identification

Type key, JP 5 and JP 6 pumps

Example	JP5	B-	A-	CVBP-	C-	Y	1 x 220-240 V, 50 Hz
Pump type JP 5 JP 6							
Pipe connection A: Rp 1 internal thread (only on request) B: G 1 external thread							
Material A: Composite motor stool/stainless-steel impeller							
Code for shaft seal C: O-ring seal with spring as seal driver V: Ceramic B: Carbon, resin-impregnated P: NBR (nitrile rubber)							
Mains cable and plug A: Australian plug C: Schuko plug D: Cable, no plug E: No cable							
Switch Y: With on/off switch N: Without on/off switch							
Voltage 1 x 220-240 V, 50 Hz 3 x 220-240 / 380-415 V, 50 Hz							

Type key, JP 5 and JP 6 boosters

Example	JPB	5	A-	A-	A-	C-	C-	P	24L
JPB: JP booster									
Pump type 5: JP 5 6: JP 6									
Pump version A: Standard version									
Pipe connection A: Inlet, JP, external G 1 Outlet, 5-way valve, external R 1 B: Inlet, JP, external G 1 Outlet, PM, external G 1 X: Other pipe configuration									
Material of wetted parts A: Sleeve: stainless steel Motor stool: composite Hydraulic parts: stainless steel Pressure Manager: technopolymer B: Sleeve: stainless steel Motor stool: stainless steel Hydraulic parts: stainless steel Pressure Manager: technopolymer									
Supply voltage C: 1 x 220-240 V, 50 Hz F: 3 x 220-240 V, 50 Hz									
Mains cable and plug A: Australian plug C: Schuko plug D: Cable, no plug E: No cable									
Control device A: PM 1, 1.5 bar B: PM 1, 2.2 bar C: PM 2 P: Pressure switch									
Tank size									

Type key, JPA, JPC and JPD pumps and boosters

Example	JPA	4-	54	(PT)	(V)	230 V	50 Hz	Schuko	IT	h_temp
Pump type JPA: Cast iron, self-priming JPC: Composite, self-priming JPD: Cast iron, self-priming, deep well										
Maximum flow rate [m³/h]										
Maximum head [m]										
Accessory, if any PT: Pressure tank PM: Pressure Manager -: None										
Tank type H: Horizontal tank V: Vertical tank -: No tank										
Voltage										
Frequency										
Cable plug type No plug Schuko plug										
Country of production IT: Italy HU: Hungary CN: China										
Temperature variant h_temp: High temperature [: Standard										

3. JP 5 and JP 6 pumps and boosters

JP 5, JP 6



TM01 4595 3502

Fig. 7 JP 6

The JP 5 and JP 6 self-priming, single-stage centrifugal pumps have axial inlet and radial outlet. The pumps have a built-in ejector with guide vanes for optimum self-priming properties. The pump body is made of stainless steel.

The JP 5 and JP 6 can be fitted with a Pressure Manager or a pressure switch combined with a pressure tank for more comfort.

Product range

Pump type	Maximum flow rate [m ³ /h]	Maximum head [m]
JP 5	4	43
JP 6	5	57

Applications

The pumps can be used in various applications requiring self-priming operation. They are especially suitable for water supply and transfer in the following applications:

- single- and two-family houses
- gardens.

Features

- Self-priming pump
- handle for easy lifting
- robust design
- corrosion-free materials.

Motor

The pump is directly coupled to a special fan-cooled asynchronous Grundfos motor which corresponds to the pump performance. Single-phase motors have a built-in thermal switch and require no additional motor protection. Three-phase motors require external motor protection.

Operating conditions

System pressure	Maximum 6 bar
Suction lift	Maximum 7 m, including inlet-pipe pressure loss at a liquid temperature of 20 °C
Liquid temperature	0-40 °C
Ambient temperature	Maximum 45 °C Minimum -20 °C
Relative humidity	Maximum 95 %
Enclosure class	IP44
Insulation class	F
Sound pressure level	The sound pressure level of the pump is below 72 dB(A).
Start/stop frequency	Maximum 100 per hour

Electrical data, 50 Hz

Pump type	Voltage [V]	P1 [W]	n [min ⁻¹]	I _n [A]	I _{start} [A]
JP 5	1 x 220-240	850	2650	3.8	13.0
	3 x 220-240 / 380-415	780	2830	2.4 / 1.4	7.0
JP 6	1 x 220-240	1400	2800	6.2	26.0
	3 x 220-240 / 380-415	1325	2850	4.1 / 2.4	16.3

Approvals and markings

Pump type	Approvals		Markings		
	WRAS	ACS	CE	C-Tick	EAC
JP 5	•	•	•	•	•
JP 6	-	•	•	•	•

Materials

The JP 5 and JP 6 are available in one material variant:

Designation	Variant A
Cover plate	
Motor stool	Composite, one unit
Base plate	
Handle	Composite

Wetted parts

The below table specifies the parts in contact with water.

Designation	Material	Technical description
Pump body	Stainless steel	EN 1.4301 AISI 304
Impeller	Stainless steel	EN 1.4301 AISI 304
Diffuser	Technopolymer	PP 20 % Talc
Ejector	Technopolymer	PPE/PS 20 % GF
Nozzle	Stainless steel	EN 1.4301 AISI 304
Shaft	Stainless steel	EN 1.4301 AISI 304
Shaft seal	Carbon with resin/ceramic	CVBP
Filling plug	Technopolymer	PES 30 % GF
Drainage plug	Technopolymer	PES 30 % GF

Performance curves

The performance curves are for the pumps only. There is an additional pressure drop over the Pressure Manager. The suction lift is 0 metre.

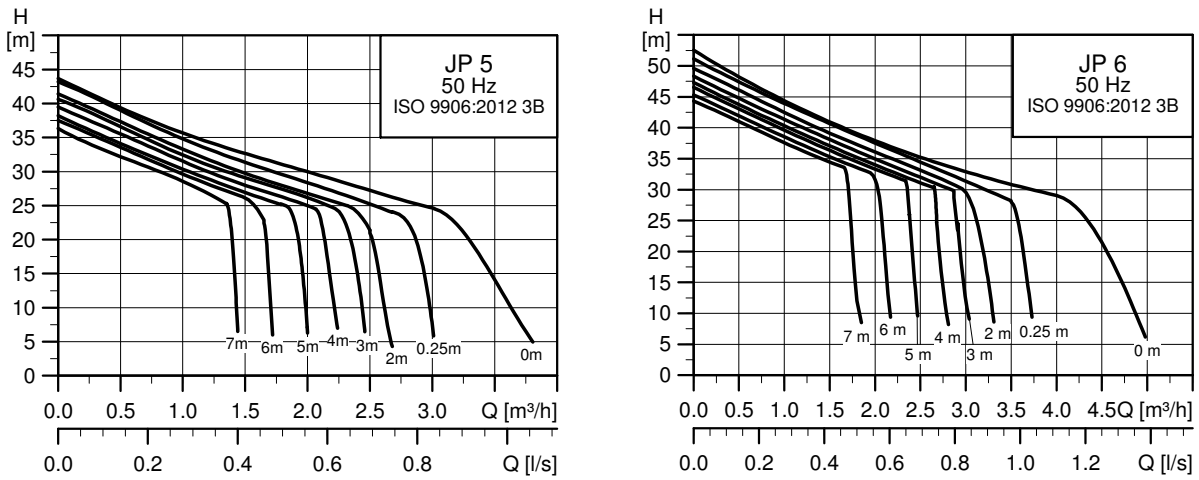
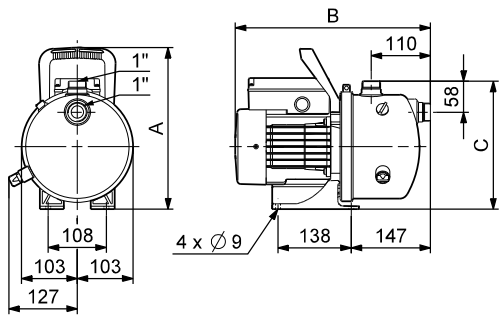


Fig. 8 Performance curves for the JP 5 and JP 6

Dimensions

Material variant A



TM04 2346 2308

Pump type	Dimensions [mm]			Weight [kg]
	A	B	C	
JP 5	300	364	240	8.5
JP 6	300	401	240	10

TM05 8138 1817 - TM05 7845 1817

JP 5 PM, JP 6 PM



TM05 5989 4312 - TM05 5988 4312

Fig. 9 JP PM 1 (left) and JP PM 2 (right)

The compact JP 5 PM and JP 6 PM boosters consist of a JP 5 or JP 6 pump, material variant A, and a Grundfos Pressure Manager.

The Pressure Manager comes in two versions:

- a basic version, PM 1
- an advanced version, PM 2.

To reduce the number of starts/stops, an external tank can be installed. See *GT-U bladder tanks* on page 29 and *GT-H diaphragm tanks* on page 29.

Features

- Anticycling
- dry-running protection
- automatic start/stop:
 - JP 5 PM 1: start pressure of 1.5 bar.
 - JP 6 PM 1: start pressure of 2.2 bar.
 - JP 5, JP 6 PM 2: adjustable start pressure between 1.5 and 5.5 bar.
- maximum continuous operating time (PM 2 only).

For a complete list of features, see *Accessories* on page 28.

Electrical data

The JP PM 1 and JP PM 2 come with single-phase motors. See *Electrical data, 50 Hz* on page 9.

Approvals and markings

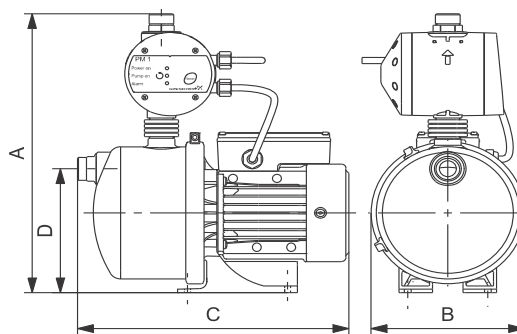
Approvals		Markings		
WRAS	ACS	CE	C-Tick	EAC
-	-	•	•	•

Wetted parts of the Pressure Manager

The below table specifies the parts in contact with water.

Designation	Material	Technical description
Housing	Technopolymer	PP 30 % GF
Shutter	Technopolymer	PPO 20 % GF
O-ring	Rubber	NBR
Cover magnet	Technopolymer	PPO 20 % GF
Fitting, 1"	Technopolymer	PPO 30 % GF
Spring	Stainless steel	EN 1.4305 AISI 303
Diaphragm	Butyl	Foodgum 55 N/B

Dimensions



TM05 5970 4312

Pump type	Dimensions [mm]				Weight [kg]
	A	B	C	D	
JP 5 PM	364	206	420	182	8.5
JP 6 PM	401	206	420	182	10

JP 5, JP 6 PT



Fig. 10 JP PT

The compact JP 5 PT and JP 6 PT boosters consist of a JP 5 or JP 6 pump, material variant A, a pressure switch and a diaphragm tank.

The pressure switch automatically starts the pump according to demand.

The diaphragm tank ensures a controlled pressure in the water supply and thereby limits the switching frequency of the pump in case of low water consumption or leakage loss. Furthermore, the diaphragm tank increases system comfort by compensating for pressure drops when a tap is opened, and finally it reduces problems with water hammer in the pipework.

The JP PT is available with the following diaphragm tanks:

- 18-litre vertical tank
- 24-litre horizontal tank
- 60-litre horizontal tank.

Features

- Automatic start/stop at 2.2 and 3.3 bar.
- constant water supply.

TM05 5987 4312

Approvals and markings

Approvals		Markings		
WRAS	ACS	CE	C-Tick	EAC
-	-	•	-	•

Wetted parts

The below tables specify the parts in contact with water.

Pressure switch

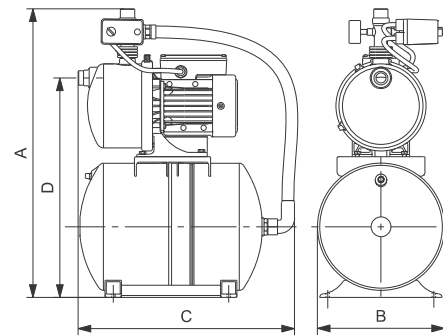
Designation	Material	Technical description
Pressure sensor	Zinc alloy	NF EN 12844
5-way valve	Brass	MSG58
Pressure gauge	Brass	

Pressure tank

Pressure tank	Rubber/stainless steel
Armed rubber hose	Rubber/stainless steel

Dimensions

The JP PT is available with different tank sizes. The booster design depends on the size of the selected tank.



TM05 5972 4312

Pump type	Tank size [l]	Dimensions [mm]				Weight [kg]
		A	B	C	D	
JP 5, JP 6	18	668	275	475	494	20
JP 5, JP 6	24	680	291	510	506	21
JP 5, JP 6	60	786	390	580	612	26

4. JPA pumps and boosters

General data



TM06 5406 - TM06 5410 - TM06 5411 4515

Fig. 11 JPA pumps

The JPA self-priming, single-stage centrifugal pump has a cast iron body as well as axial inlet and radial outlet. The pump has a built-in ejector with guide vanes for optimum self-priming properties.

The JPA can be fitted with a pressure tank for more comfort.

Product range

Pump type	Maximum flow rate [m ³ /h]	Maximum head [m]
JPA, JPA PT, JPA PM	3	42
	4	47
	4	54
	5	61
JPA	8	62
	12	41
	12	51

Applications

The pumps can be used in various applications where self-priming is needed. They are especially suitable for water supply and transfer in the following applications:

- single- or two-family houses
- gardens.

The big versions can be used in the following applications as well:

- water transfer
- small-scale agriculture
- industrial greenhouses.

Features

- Self-priming
- robust design
- corrosion-resistant materials.

Motor

The rotor is mounted on oversize, sealed greased-for-life ball bearings ensuring silent running and long life. Single-phase motors have built-in thermal and current protection and require no additional motor protection.

Operating conditions

System pressure	Maximum 8 bar
Flow rate	0.6 - 10.5 m ³ /h
Suction lift	Maximum 8 m, including inlet-pipe pressure loss at a liquid temperature of 20 °C
Liquid temperature	0-35 °C (domestic use) 0-40 °C (other use)
Ambient temperature	Maximum 40 °C
Relative humidity	Maximum 95 %
Enclosure class	IP44
Insulation class	F
Sound pressure level	The sound pressure level of the pump is below 77 dB(A).
Start/stop frequency	Maximum 20 per hour

Electrical data, 50 Hz

Pump type	Voltage [V]	P1 [W]	Speed [min ⁻¹]	I _n [A]
JPA 3-42	1 x 220-240	720	2850	3.12
JPA 4-47	1 x 220-240	850	2750	3.8
JPA 4-54	1 x 220-240	1130	2800	5.1
JPA 5-61	1 x 220-240	1600	2800	7.2
JPA 8-62	1 x 220-240	2200	2800	10
JPA 12-41	1 x 220-240	2000	2800	9
JPA 12-51	1 x 220-240	2700	2800	12

Approvals and markings

Approvals		Markings		
WRAS	ACS	CE	C-Tick	EAC
-	-	•	•	•

Wetted parts

The below table specifies the parts in contact with water.

Designation	Material	Technical description
Pump body	Cast iron	EN-GJL-200
Motor stool	Cast iron Die-cast aluminium*	EN-GJL-200 EN AB 46100
Impeller	Technopolymer	Noryl GFN 2
Diffuser	Technopolymer	Noryl GFN 2
Diffuser ring	Stainless steel	EN 1.4401 AISI 316
Venturi tube	Technopolymer Rubber	Noryl GFN 2
Shaft	Stainless steel	EN 1.4305 AISI 303
Shaft seal	Carbon with resin/ceramic	BBQP
Filling/drainage plug	Technopolymer	PPE 20 % GF
Filling/drainage plug gasket	Rubber	NBR
Back plate	Stainless steel	EN 1.4301 AISI 304

* JPA 3-42, 4-47, 4-54.

Performance curves

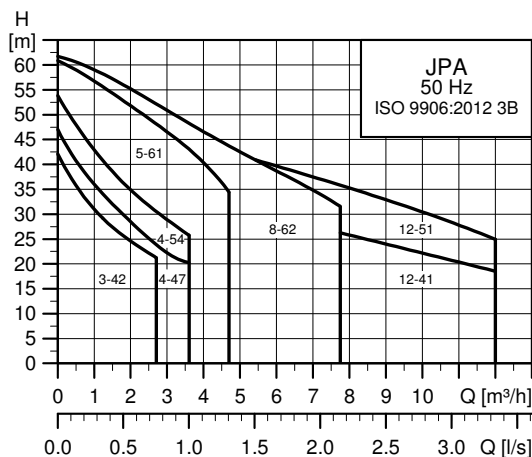


Fig. 12 Performance curves for JPA

Note: For the JPA PM, there is an additional pressure drop over the Pressure Manager.

Dimensions

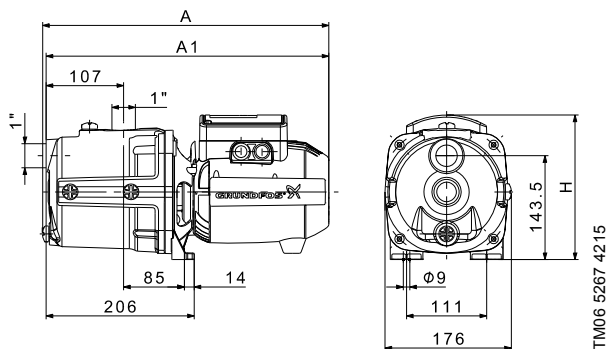


Fig. 13 JPA 3-42, 4-47, 4-54

Pump type	Dimensions [mm]			Weight [kg]
	A	A1	H	
JPA 3-42	396	391	200	10.5
JPA 4-47	396	391	200	11
JPA 4-54	417	411	210	13

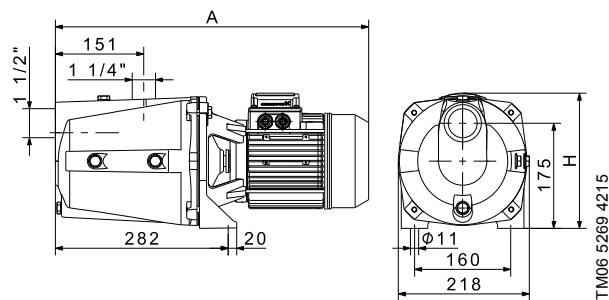


Fig. 15 JPA 12-41, JPA 12-51

Pump type	Dimensions [mm]		Weight [kg]
	A	H	
JPA 12-41	521	225	26
JPA 12-51	595	230	29

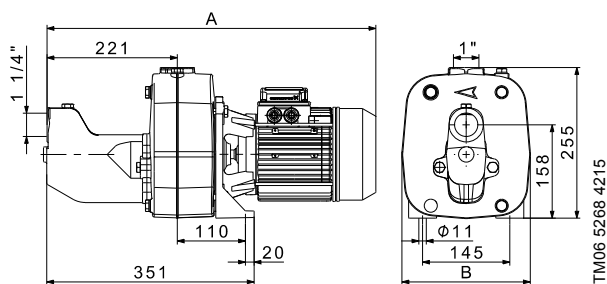


Fig. 14 JPA 5-61, 8-62

Pump type	Dimensions [mm]		Weight [kg]
	A	B	
JPA 5-61	558	217	29
JPA 8-62	632	218	33

JPA PM



TM06 6703 2216

Fig. 16 JPA PM

The compact JPA PM booster consists of a JPA pump and a Grundfos Pressure Manager.

The Pressure Manager comes in the PM 1 version.

To reduce the number of starts/stops, an external tank can be installed. See *GT-U bladder tanks* on page 29 and *GT-H diaphragm tanks* on page 29.

Features

- Anticycling
- dry-running protection
- automatic start/stop.

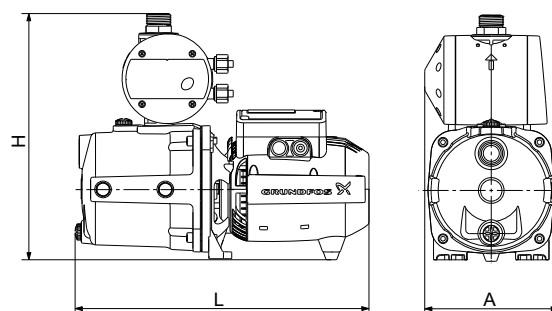
Wetted parts of the Pressure Manager

The below table specifies the parts in contact with water.

Designation	Material	Technical description
Housing	Technopolymer	PP 30 % GF
Shutter	Technopolymer	PPO 20 % GF
O-ring	Rubber	NBR
Cover magnet	Technopolymer	PPO 20 % GF
Fitting 1"	Technopolymer	PPO 30 % GF
Spring	Stainless steel	EN 1.4305 AISI 303
Diaphragm	Butyl	Foodgum 55 N/B

Dimensions

JPA PM



TM06 7407 3416

Fig. 17 JPA PM

Type	Dimensions [mm]			Weight [kg]
	H	L	A	
JPA 3-42 PM	332	396	180	10
JPA 4-47 PM	332	396	180	11
JPA 4-54 PM	332	417	180	13

JPA PT



TM06 5408 4515 - TM06 5409 4515

Fig. 18 JPA PT-V (left) and JPA PT-H (right)

The JPA PT booster consists of a JPA pump, a pressure switch, a pressure gauge and a diaphragm tank.

The pressure switch automatically starts the pump according to demand. The diaphragm tank ensures a constant water pressure in the water supply and thereby limits the switching frequency of the pump in case of low water consumption or leakage loss. Furthermore, the diaphragm tank increases system comfort by compensating for pressure drops when a tap is opened, and finally it reduces problems with water hammer in the pipework.

The JPA PT is available with the following tanks:

- 20-litre horizontal tank (JPA PT-H)
- 18-litre vertical tank (JPA PT-V).

Features

- Automatic start/stop
- constant water supply

Wetted parts

The below tables specify the parts in contact with water.

Pressure switch

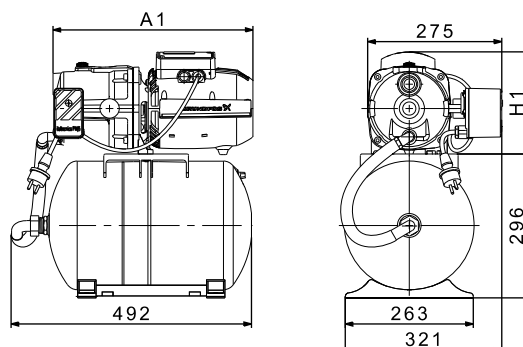
Designation	Material	Technical description
Pressure sensor	Stainless steel	EN 1.4301 AISI 304
	Rubber	TIMO 70
5-way valve	Brass	MSG58
Pressure gauge	Brass	

Pressure tank

Tank	Rubber/stainless steel
Armed rubber hose	Rubber/stainless steel

Dimensions

JPA PT-H

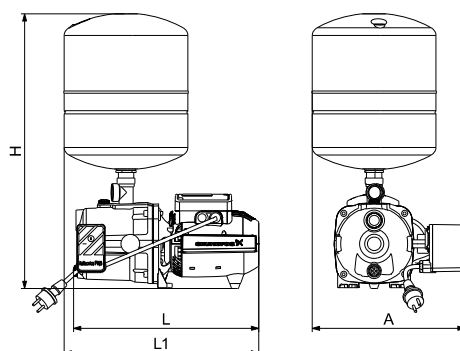


TM06 5272 4215

Fig. 19 JPA PT-H

Type	Dimensions [mm]		Weight [kg]
	A1	H1	
JPA 3-42 PT-H	391	200	17
JPA 4-47 PT-H	391	200	17.5
JPA 4-54 PT-H	411	210	19

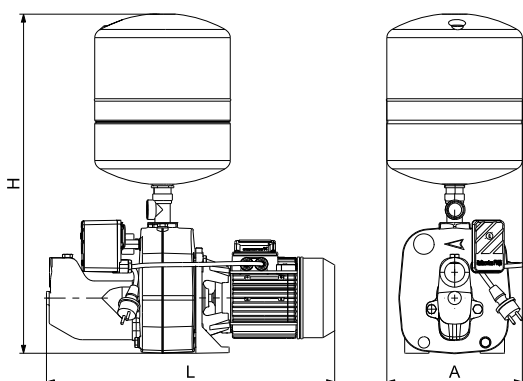
JPA PT-V



TM06 5354 4415

Fig. 20 JPA 4-47, 4-54 PT-V

Type	Dimensions [mm]			
	A	L	L1	H
JPA 4-47 PT-V	587	396	416	327
JPA 4-54 PT-V	586	411	436	324



TM06 5355 4415

Fig. 21 JPA 5-61, 8-62 PT-V

Type	Dimensions [mm]		
	A	L	H
JPA 5-61 PT-V	264	563	662
JPA 8-62 PT-V	264	637	662

5. JPC pumps and boosters

General data



TMD05 5091 3212

Fig. 22 JPC

The JPC self-priming, single-stage centrifugal pump has a composite body as well as axial inlet and radial outlet. The pump has a built-in ejector with guide vanes for optimum self-priming properties.

Product range

Pump type	Maximum flow rate [m ³ /h]	Maximum head [m]
	3	42
JPC, JPC PM, JPC PT	4	47
	4	54
	5	48

Applications

The pumps can be used in various applications where self-priming is needed. They are especially suitable for water supply and transfer in the following applications:

- single- and two-family houses
- gardens.

Features

- Self-priming
- robust design
- corrosion-free materials.

Motor

The rotor is mounted on oversized, sealed, greased-for-life ball bearings to ensure silent running and long life. Single-phase motors have built-in thermal and current protection and require no additional motor protection.

Operating conditions

System pressure	Maximum 8 bar
Suction lift	Maximum 8 m, including inlet-pipe pressure loss at a liquid temperature of 20 °C
Liquid temperature	0-35 °C (0-60 °C*)
Ambient temperature	Maximum 40 °C (maximum 55 °C*)
Relative humidity	Maximum 95 %
Enclosure class	IP44
Insulation class	F
Sound pressure level	Maximum sound pressure level of the pump: JPC 3-42: 82.9 dB JPC 4-47: 84.8 dB JPC 4-54: 88.0 dB
Start/stop frequency	Maximum 20 per hour

* h_temp variants only

Electrical data, 50 Hz

Pump type	Voltage [V]	P1 [W]	n [min ⁻¹]	I _n [A]	I _{start} [A]
JPC 3-42	1 x 220-240	720	2900	3.12	8.54
JPC 4-47	1 x 220-240	850	2900	3.8	11.27
JPC 4-54	1 x 220-240	1130	2900	5.1	17.8
JPC 5-48	1 x 220-240	1490	2900	6.6	26.4

Electrical data, 60 Hz

Pump type	Voltage [V]	P1 [W]	P2 [W]	n [min ⁻¹]	I _n [A]	I _{start} [A]
JPC 3-42	1 x 110-120	730	450	3400	6.6	22.4
	1 x 220-240	700	450	3400	4	11.3
JPC 4-47	1 x 110-120	900	600	3400	8	26.8
	1 x 220-240	880	600	3400	3.9	13.2
JPC 4-54	1 x 110-120	1100	750	3400	9.7	47.5
	1 x 220-240	1100	750	3400	5	23.9
JPC 5-48	1 x 110-120	1470	1000	3400	13.4	53.6
	1 x 220-240	1450	1000	3400	7.6	30.4

Approvals and markings

Approvals		Markings		
WRAS	ACS	CE	C-Tick	EAC
-	-	•	•	•

Materials

The motor stool is made of die-cast aluminium.

Wetted parts

The below table specifies the parts in contact with water.

Designation	Material	Technical description
Pump body	Technopolymer	PP 30 % GF PA 66 GF 30*
Impeller	Technopolymer	PPE 20 % GF PA 66 GF 30* brass
Diffuser	Technopolymer	PPE 20 % GF PA 66 GF 30*
Diffuser ring	Stainless steel	EN 1.4401 AISI 316
Venturi tube	Technopolymer Rubber	PPE + 20 % GF PA 66 GF 30* NBR
Seal housing	Rubber	NBR
Shaft	Stainless steel	EN 1.4305 AISI 303
Shaft seal	Carbon with resin/ceramic	CBBXP
Filling plug	Technopolymer	PPE 20 % GF PA 66 GF 30*
Filling plug gasket	Rubber	NBR
Drainage plug	Technopolymer	PPE 20 % GF PA 66 GF 30*
Drainage plug gasket	Rubber	NBR
Mechanical seal disc	Stainless steel	EN 1.4301 AISI 304

* h_temp variants only

Performance curves

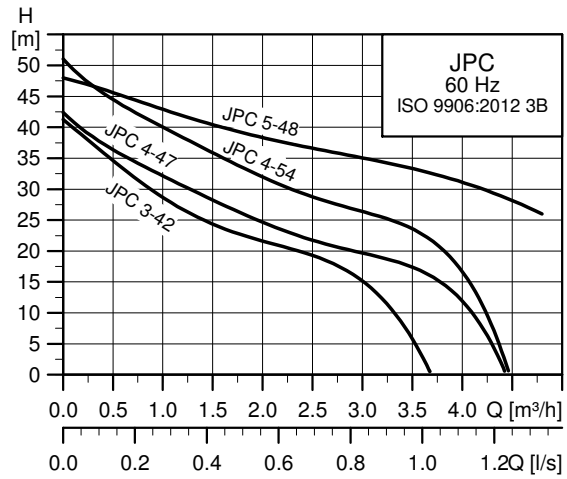
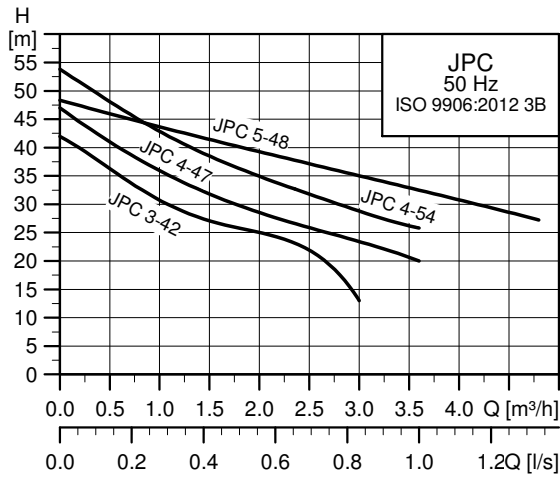
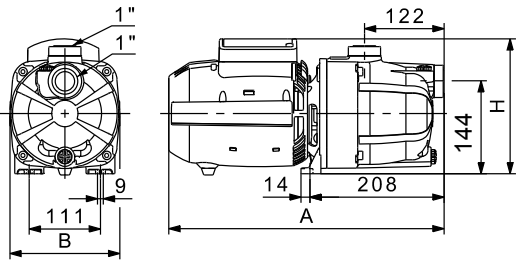


Fig. 23 Performance curves for the JPC 3-42, JPC 4-47, JPC 4-54 and JPC 5-48

Note: For the JPC PM and JPC PT, there is an additional pressure drop over the Pressure Manager and pressure switch.

Dimensions



TM05 5605 3712

Fig. 24 JPC

Pump type	[V]	Dimensions [mm]			Weight [kg]
		A	B	H	
JPC 3-42	115	410	198	200	8
	230	410	171	200	8
JPC 4-47	115	410	198	200	9.5
	230	410	171	200	9.5
JPC 4-54	115	430	206	210	10.5
	230	430	171	210	10.5
JPC 5-48	115	426	171	210	10.5
	230	426	171	210	10.5

JPC PM



Fig. 25 JPC PM

The compact JPC PM booster consists of a JPA pump and a Grundfos Pressure Manager.

The Pressure Manager comes in the PM 1 version.

To reduce the number of starts/stops, an external tank can be installed. See *GT-U bladder tanks* on page *GT-U bladder tanks* and *GT-H diaphragm tanks* on page 29.

Features

- Anticycling
- dry-running protection
- automatic start/stop.

Wetted parts of the Pressure Manager

The below table specifies the parts in contact with water.

Designation	Material	Technical description
Housing	Technopolymer	PP 30 % GF
Shutter	Technopolymer	PPO 20 % GF
O-ring	Rubber	NBR
Cover magnet	Technopolymer	PPO 20 % GF
Fitting 1"	Technopolymer	PPO 30 % GF
Spring	Stainless steel	EN 1.4305 AISI 303
Diaphragm	Butyl	Foodgum 55 N/B

Dimensions

JPC PM

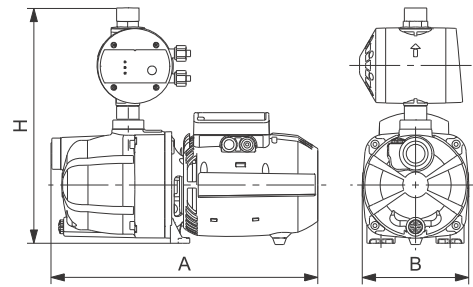


Fig. 26 JPC PM

Type	Dimensions [mm]			Weight [kg]
	H	L	A	
JPC 3-42 PM	349	407	175	10
JPC 4-47 PM	349	407	175	11
JPC 4-54 PM	359	407	195	13

TM05 8007 2216

TM06 7407 3416

JPC PT



TM05 8225 2113

Fig. 27 JPC PT

The JPC PT booster consists of a JPC pump, a pressure switch, a pressure gauge and a diaphragm tank.

The pressure switch allows the pump to start and stop automatically according to demand.

The diaphragm tank ensures a controlled pressure in the water supply and thereby limits the switching frequency of the pump in case of low water consumption or leakage loss. Furthermore, the diaphragm tank increases system comfort by compensating for pressure drops when a tap is opened, and finally it reduces problems with water hammer in the pipework.

The JPC PT is available with an 18-litre vertical diaphragm tank.

Features

- Constant water supply
- automatic start/stop.

Wetted parts

The below tables specify the parts in contact with water.

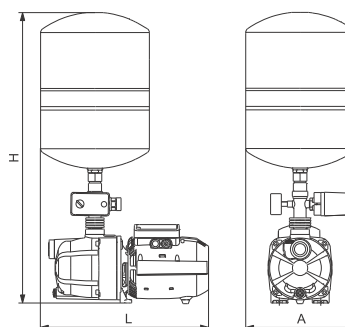
Pressure switch

Designation	Material	Technical description
Pressure sensor	Stainless steel	EN 1.4301 AISI 304
	Rubber	TIMO 70
5-way valve	Brass	MSG58
Pressure gauge	Brass	

Pressure tank

Tank	Material	Technical description
	Rubber/steel	Butyl

Dimensions



TM05 8752 2613

Pump type	Dimensions [mm]			Weight [kg]
	A	L	H	
JPC 3-42 PT	290	430	632	15
JPC 4-47 PT	290	430	632	15
JPC 4-54 PT	290	430	632	17

6. JPD boosters

JPD PT



TM06 54.13.4515 - TM06 5415 4515

Fig. 28 Ejector and JPD PT boosters

The JPD PT-V self-priming centrifugal booster is suitable for suction lifts up to 27 metres. The booster consists of a JPD pump, a pressure switch, a pressure gauge and a diaphragm tank. The pump body is made of cast iron. The high suction lift is achieved by means of an ejector which can be inserted into wells with a diameter of down to 10 cm (4").

The JPD PT is available with an 18-litre vertical diaphragm tank.

Product range

Pump type	Maximum flow rate [m ³ /h]	Maximum head [m]
JPD PT	4	47
	4	54
	5	61
	8	62

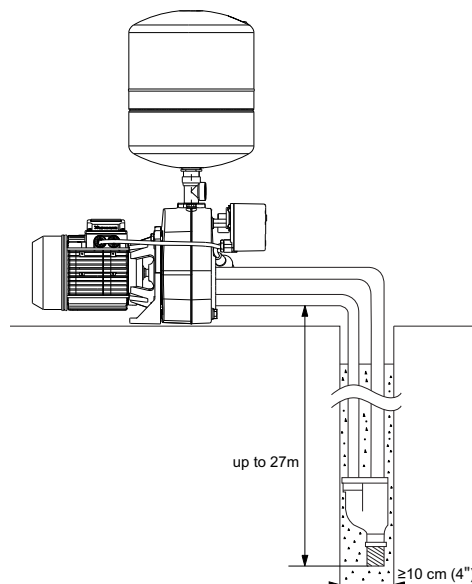
Applications

The boosters can be used in various applications where self-priming with a high suction lift is needed. They are especially suitable in the following applications:

- water supply to farmhouses
- small-scale agriculture.

Features

- Self-priming
- suction lift up to 27 metres
- constant water supply
- automatic start/stop.



TM06 54.36.4615

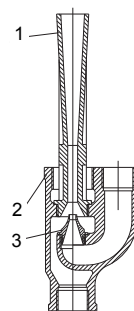
Fig. 29 Suction principle of the JPD

Motor

The rotor is mounted on an oversize, sealed, greased-for-life ball bearings to ensure silent running and long life. Single-phase motors have built-in thermal and current protection and require no additional motor protection.

Ejector

The ejector is available in three versions (E20, E25, E30) and is to be chosen according to performance requirements. See *Performance curves, JPD PT* on page 24.



TM02 8.456 0204

Fig. 30 Ejector

Pos.	Designation
1	Venturi tube
2	Ejector body
3	Nozzle

Operating conditions

System pressure	Maximum 6 bar (JPD 4-47, 4-54) Maximum 8 bar (JPD 5-61, 8-62)
Suction lift	Maximum 27 m, including inlet-pipe pressure loss at a liquid temperature of 20 °C
Liquid temperature	0-35 °C (domestic use) 0-40 °C (other use)
Ambient temperature	Maximum 40 °C
Relative humidity	Maximum 95 %
Enclosure class	IP44
Insulation class	F
Sound pressure level	The sound pressure level of the pump is below 77 dB(A).
Start/stop frequency	Maximum 20 per hour

Electrical data, 50 Hz

Pump type	Voltage [V]	P1 [W]	n [min ⁻¹]	I _n [A]
JPD 4-47 PT	1 x 220-240	730	2850	3.4
JPD 4-54 PT	1 x 220-240	790	2850	3.8
JPD 5-61 PT	1 x 220-240	1560	2850	7
JPD 8-62 PT	1 x 220-240	2100	2850	8.3

Approvals and markings

Approvals		Markings		
WRAS	ACS	CE	C-Tick	GOST/EAC
-	-	•	-	•

Wetted parts

The below table specifies the parts in contact with water.

Pump

Designation	Material	Technical description
Pump body	Cast iron	EN-GJL-200
Motor stool	Cast iron Die-cast aluminium*	EN-GJL-200 EN AB 46100
Impeller	Technopolymer	Noryl GFN 2
Diffuser	Technopolymer	Noryl GFN 2
Diffuser ring	Stainless steel	EN 1.4401 AISI 316
Venturi tube	Technopolymer Rubber	Noryl GFN 2
Shaft	Stainless steel	EN 1.4305 AISI 303
Shaft seal	Carbon with resin/ceramic	BBQP
Filling/drainage plug	Technopolymer	PPE 20 % GF
Filling/drainage plug gasket	Rubber	NBR
Back plate	Stainless steel	EN 1.4301 AISI 304

* JPA 4-47, 4-54.

Pressure switch

Designation	Material	Technical description
Pressure sensor	Stainless steel Rubber	EN 1.4301 AISI 304 TIMO 70
5-way valve	Brass	MSG58
Pressure gauge	Brass	

Pressure tank

Tank	Rubber/steel	Butyl

Ejector

Designation	Material	Technical description
Ejector body	Cast-iron body, anticorrosion-treated on the outer and inner surfaces.	
Venturi tube	Technopolymer	
Nozzle	Brass	

Dimensions

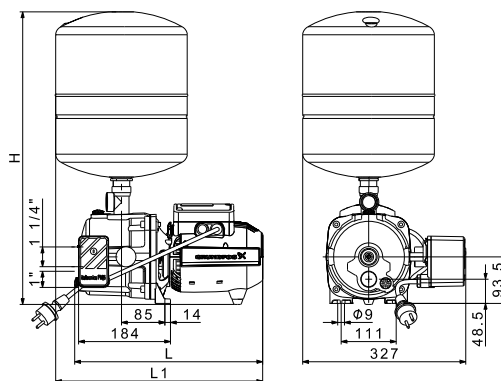


Fig. 31 JPD 4-47, 4-54 PT

TM06 5356 4415

Pump type	Dimensions [mm]		
	H	L	L1
JPD 4-47 PT	588	378	416
JPD 4-54 PT	586	398	436

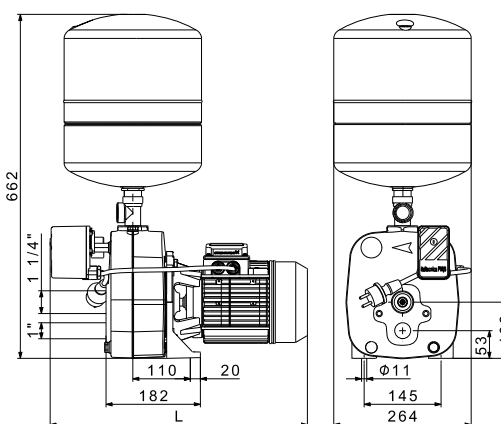


Fig. 32 JPD 5-61, 8-62 PT

TM06 5357 4415

Pump type	Dimensions L [mm]
JPD 5-61 PT	495
JPD 8-62 PT	571

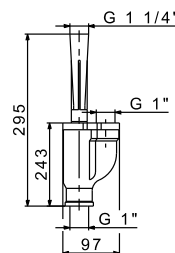
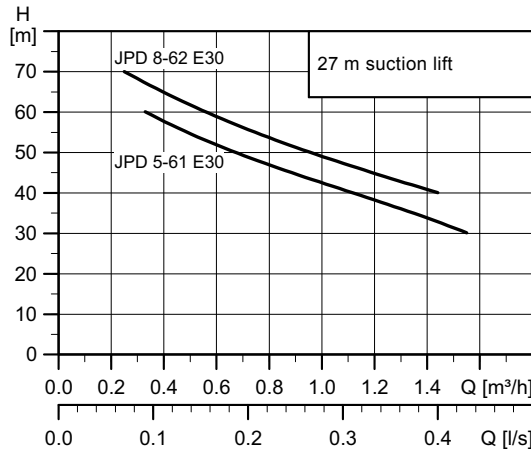
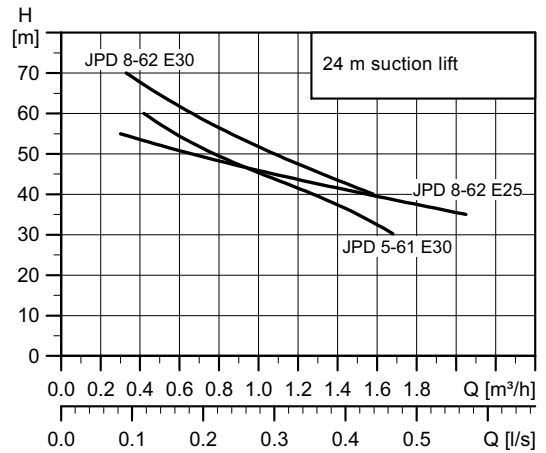
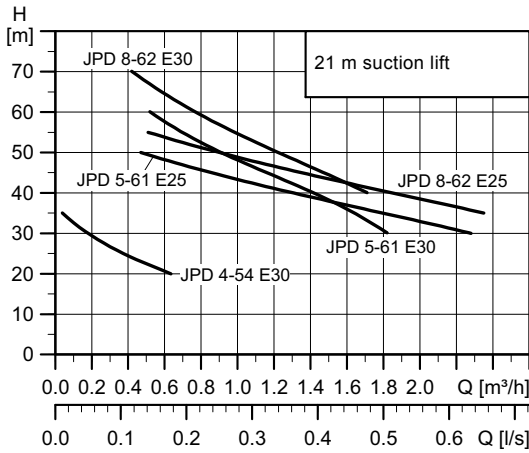
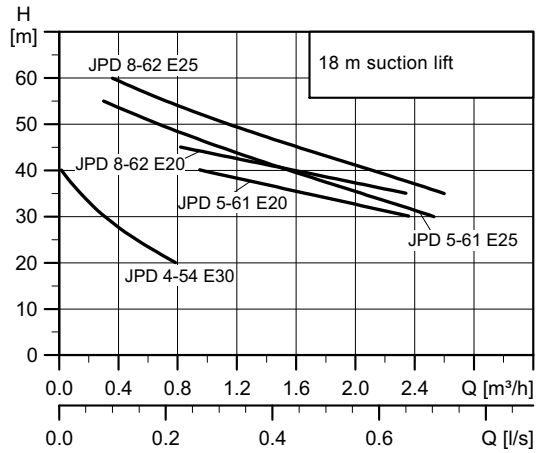
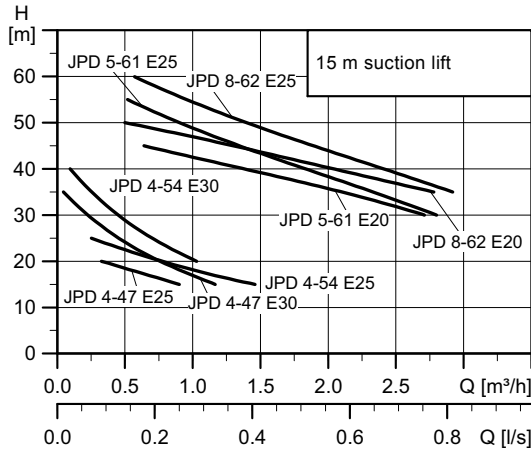
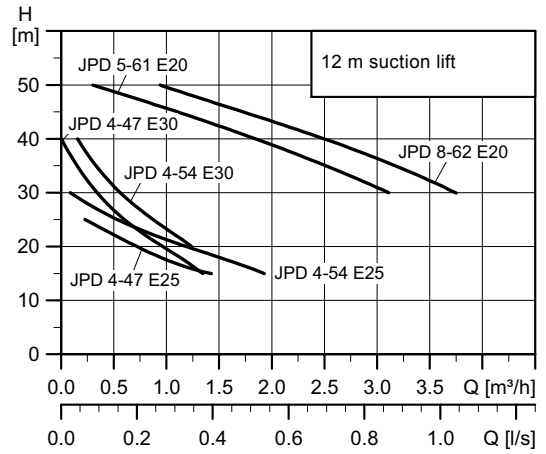
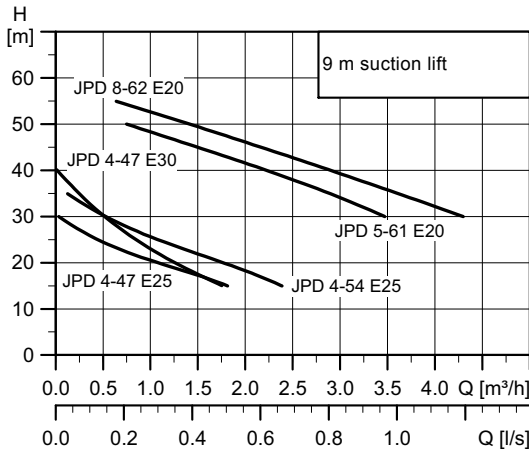


Fig. 33 Ejector dimensions

TM02 8457 0204

Performance curves, JPD PT



7. Product numbers

JP 5, JP 6 pumps

Pump type	Voltage		On/off switch	1.5 m cable	Plug			Product number
	1 x 220-240 V, 50 Hz	3 x 220-240 / 380-415 V, 50 Hz			Schuko	Swiss	AUS	
JP 5, JP 6								
	•		•	•	•			46511002
	•		•	•		•		46511003
JP 5	•		•					46511011
	•		•					46511012
	•		•	•			•	98155855
		•						46531011
JP 6	•		•	•				46611011
	•		•	•				46611012
	•		•	•			•	98155858
		•		•				46631011
	•		•	•	•			46611002

JP 5, JP 6 boosters

All boosters come with a pump in material variant A (composite motor stool) and a 1.5 m cable.

Pump type	Voltage		Pressure Manager		Plug		Product number
	1 x 220-240 V, 50 Hz	3 x 220-240 / 380-415 V, 50 Hz	PM 1	PM 2	Schuko	AUS	
JP 5, JP 6 PM, one unit		The pump and Pressure Manager come as one unit with common installation and operating instructions.					
	•		•		•		98071524
JP 5	•		•			•	98071526
	•			•	•		98071528
	•			•		•	98071530
	•		•		•		98071533
JP 6	•		•			•	98071535
	•			•	•		98071537
	•			•		•	98071539
JP 5, JP 6 PM, separate		The pump and Pressure Manager come as two separate parts in the same box, with separate installation and operating instructions.					
JP 5	•		•		•		98071540
	•			•	•		98071542
JP 6	•		•		•		98071541
	•			•	•		98071543

Pump type	Voltage		Pressure tank			Plug		Product number
	1 x 220-240 V, 50 Hz	3 x 220-240 / 380-415 V, 50 Hz	18 l	24 l	60 l	Schuko	AUS	
JP 5, JP 6 PT								
	•		•			•		4651BTBB
	•			•		•		4651BPBB
JP 5	•				•	•		4651BQBB
		•		•				4653FPDB
		•			•			4653FQDB
	•		•			•		4661BTBB
JP 6	•			•		•		4661BPBB
	•				•	•		4661BQBB
		•		•				4663FPDB
			•		•			4663FQDB
	•				•			4663FQDB

JPA, JPC, JPD pumps and boosters (PM and PT)

Pump type	Voltage			Pressure tank		High temperature variant	1.5 m cable	Plug			Country of origin	Threads		Product number
	1 x 230 V, 50 Hz	1 x 230 V, 60 Hz	1 x 115 V, 60 Hz	20 l, horizontal	18 l, vertical			Schuko	UK	AUS		G 1	NPT 1	
JPA														
JPA 3-42	•										HU	•		98946090
	•							•			HU	•		99131674
JPA 4-47	•										HU	•		98946091
	•							•			HU	•		99131675
JPA 4-54	•										HU	•		98946092
	•							•			HU	•		99131676
JPA 5-61	•										IT	•		98946093
	•							•			IT	•		99131677
JPA 8-62	•										IT	•		98946094
	•							•			IT	•		99131678
JPA 12-41	•										IT	•		98946095
	•							•			IT	•		99131672
JPA 12-51	•										IT	•		98946096
	•							•			IT	•		99131673
JPA PM														
JPA 3-42 PM	•							•		•	CN	•		99051419
JPA 4-47 PM	•							•		•	CN	•		99051420
JPA 4-54 PM	•							•		•	CN	•		99051421
JPA PT														
JPA 3-42 PT	•				•			•	•		HU	•		98946107
	•				•			•	•		CN	•		97855079*
	•				•			•	•		CN	•		99074037
JPA 4-47 PT	•				•			•	•		HU	•		98946108
	•				•			•	•		CN	•		98946102*
	•				•			•	•		CN	•		99074038
JPA 4-54 PT	•				•			•	•		HU	•		98946109
	•				•			•	•		CN	•		98973715*
	•				•			•	•		CN	•		99074039
	•				60 litre			•	•		HU	•		99131671
JPA 5-61 PT	•				•			•	•		CN	•		98973716*
	•				•			•	•		CN	•		99074040
JPA 8-62 PT	•				•			•	•		CN	•		98973717*
	•				•			•	•		CN	•		99074041
JPC														
JPC 3-42	•							•			CN	•		98601006
	•							•			HU	•		98717733
	•							•			HU	•		99074056
	•							•			CN	•		98629749
	•							•			HU	•		98717740
	•							•			CN	•		98601010
	•							•			HU	•		99074059
	•							•			CN	•		98629746
	•							•			CN	•		98601008
	•							•			CN	•		98601024
	•							•			HU	•		98717734
	•							•			HU	•		99074057
JPC 4-47	•							•			CN	•		98629750
	•							•			HU	•		98717755
	•							•			CN	•		98601026
	•							•			HU	•		99074060
	•							•			CN	•		98629747
	•							•			CN	•		98601025
	•							•			CN	•		98601027
	•							•			HU	•		98717738
	•							•			HU	•		99074058
JPC 4-54	•							•			CN	•		98629751
	•							•			HU	•		98717759
	•							•			CN	•		98601031
	•							•			HU	•		99074061
	•							•			CN	•		98629748
	•							•			CN	•		98601029

Pump type	Voltage			Pressure tank		High temperature variant	1.5 m cable	Plug			Country of origin	Threads		Product number
	1 x 230 V, 50 Hz	1 x 230 V, 60 Hz	1 x 115 V, 60 Hz	20 l, horizontal	18 l, vertical			Schuko	UK	AUS		G 1	NPT 1	
JPC 5-48	•										CN	•	99126394	
			•								CN	•	99126399	
		•									CN	•	99126401	
JPC PM														
JPC 3-42 PM	•						•		•		CN	•	99051419	
	•									•	CN	•	98388472	
JPC 4-47 PM	•						•		•		CN	•	99051420	
	•									•	CN	•	98388473	
JPC 4-54 PM	•						•		•		CN	•	99051421	
	•									•	CN	•	98388475	
JPC PT														
JPC 3-42 PT	•				•		•				CN	•	98616018	
		•			•		•				CN	•	98616052	
		•			•		•				CN	•	98629755	
			•		•		•				CN	•	98616017	
				•	•		•				CN	•	98629752	
JPC 4-47 PT	•				•		•				CN	•	98616054	
		•			•		•				CN	•	98616055	
		•			•		•				CN	•	98629756	
			•		•		•				CN	•	98616053	
				•	•		•				CN	•	98629753	
JPC 4-54 PT	•				•		•				CN	•	98616057	
		•			•		•				CN	•	98616058	
		•			•		•				CN	•	98629757	
			•		•		•				CN	•	98616056	
			•	•		•				CN	•	98629754		
JPD PT														
JPD 4-47 PT	•				•		•	•			CN	•	98973718*	
	•				•		•	•			CN	•	99074042	
JPD 4-54 PT	•				•		•	•			CN	•	98973719*	
	•				•		•	•			CN	•	99074053	
JPD 5-61 PT	•				•		•	•			CN	•	98973720*	
	•				•		•	•			CN	•	99074054	
JPD 8-62 PT	•				•		•	•			CN	•	98973721*	
	•				•		•	•			CN	•	99074055	

* SNI (Indonesia).

Ejector for JPD PT

Type	Product number
E 20	96150012
E 25	96150013
E 30	96150014

8. Accessories

The vital components of the booster solutions are also available as separate products. They can be combined with any pump to create a booster system.

Grundfos Pressure Manager

Grundfos PM 1 and PM 2 Pressure Managers are designed for automatic start/stop control of Grundfos pumps and other water supply pumps.

PM 1

The PM 1 is suitable for applications where start/stop of the pump according to consumption is needed. It is the basic control solution offering start at 1.5 or 2.2 bar.

The PM 1 starts the pump when the start pressure is reached, and the pump keeps running as long as there is flow.

The PM 1 offers dry-running protection and cycling alarm for increased safety.



Fig. 34 PM 1

TM05 5089 3212

PM 2

The PM 2 is the all-round control solution offering adjustable start at 1.5 to 5 bar. This enables customisation to different types of installations and ensures a high level of comfort.

The start pressure is set by means of DIP switches located behind the control panel, and the current pressure is indicated on the LED display on the front of the PM 2.

The PM 2 starts the pump when the start pressure is reached, and the pump keeps running as long as there is flow.

The PM 2 can be optimised for operation with an external pressure tank by enabling the 1 bar differential-pressure function. This function significantly reduces the number of operating hours of the pump in installations with a pressure tank.



Fig. 35 PM 2

TM05 5090 3212

Features

The table below shows the features of PM 1 and PM 2. The main features are described after the table.

Feature	PM 1	PM 2
Power-on indication	•	•
Pump running indication	•	•
Alarm indication	•	•
Dry-running protection	•	•
Free position in installation	•	•
Suitable for generator supply	•	•
Rotary outlet connection	•	•
Integrated non-return valve	•	•
Cycling alarm	•	•
Integrated pressure sensor from Grundfos Direct Sensors		•
Adjustable start pressure		•
Start/stop with 1 bar differential pressure		•
Automatic restarting after dry running		•
Maximum continuous operating time of 30 minutes		•
Pressure indication		•
Internal pressure tank	•	•

Anticycling

If there is a minor leakage in the system, or a tap has not been entirely closed, the PM 1 and PM 2 would normally start and stop the pump periodically. However, in order to avoid cycling, the anticycling function stops the pump and indicates an alarm.

Dry-running protection

The PM 1 and PM 2 incorporate dry-running protection that automatically stops the pump in case of dry running. The dry-running protection functions differently during priming and operation.

Adjustable start pressure (PM 2 only)

The booster can be set to start automatically within an adjustable pressure range of 1.5 to 5 bar. The current pressure is indicated on the LED display on the front of the PM 2.

Maximum continuous operating time (PM 2 only)

When this function is enabled, the pump stops when it has been running continuously for 30 minutes. The purpose of the function is to avoid unnecessary water and current consumption, e.g. in case of pipe fracture or considerable leakages.

Note: For further information, download the data booklet for Grundfos Pressure Manager using the following link or the QR code: <http://net.grundfos.com/qr/i/97506325>.



QR97506325

Grundfos pressure tanks

Grundfos GT pressure tanks are long-life tanks, which are ideally suited for controlling the pressure in domestic as well as industrial applications.

GT-U bladder tanks

The pressure tank body is made of steel, and the tank is factory-precharged with nitrogen. All parts in contact with water are either made of stainless steel or coated for protection against corrosion. The replaceable bladder for tanks with a volume of more than 60 litres is made of high-quality rubber material suitable for potable-water applications, such as booster systems, pressurisation and water hammer arresting.



TM05 5088 3212 - TM05 5087 3212

Fig. 36 GT-U bladder tanks

GT-H diaphragm tanks

The polypropylene liner combined with an FDA-approved high-grade butyl diaphragm makes up the water chamber. This is held against the tank wall with a steel clench ring. The brass air valve, sealed by a threaded O-ring valve cap, prevents air leaks.



TM05 5085 3212 - TM05 5086 3212

Fig. 37 GT-H diaphragm tanks

Note: For further information, download the data booklet for Grundfos GT tanks using the following link or the QR code: <http://net.grundfos.com/qr/i/96552805>.



QR96552805

9. Grundfos Product Center

Online search and sizing tool to help you make the right choice.

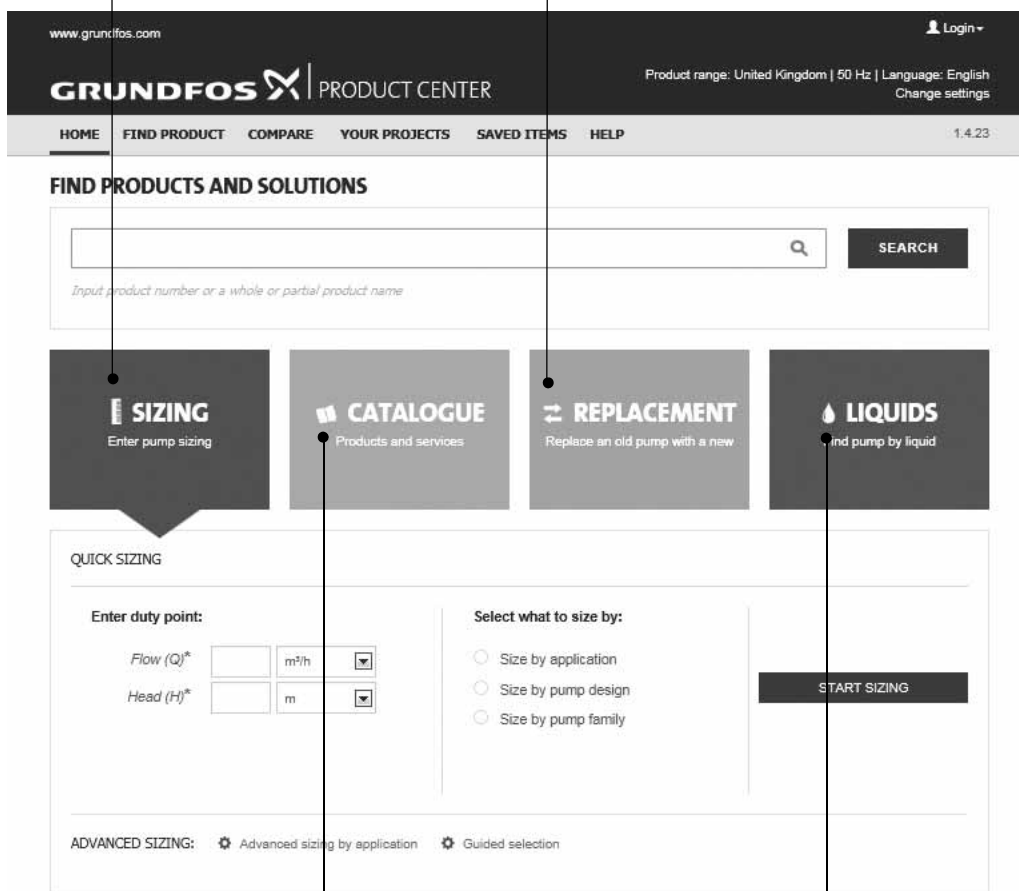
<http://product-selection.grundfos.com>



"SIZING" enables you to size a pump based on entered data and selection choices.

"REPLACEMENT" enables you to find a replacement product. Search results will include information on the following

- the lowest purchase price
- the lowest energy consumption
- the lowest total life cycle cost.



"CATALOGUE" gives you access to the Grundfos product catalogue.

"LIQUIDS" enables you to find pumps designed for aggressive, flammable or other special liquids.

All the information you need in one place

Performance curves, technical specifications, pictures, dimensional drawings, motor curves, wiring diagrams, spare parts, service kits, 3D drawings, documents, system parts. The Product Center displays any recent and saved items - including complete projects - right on the main page.

Downloads

On the product pages, you can download installation and operating instructions, data booklets, service instructions, etc. in PDF format.

Subject to alterations.

be think innovate

V7112680 0517

ECM: 1208445

GRUNDFOS A/S
DK-8850 Bjerringbro . Denmark
Telephone: +45 87 50 14 00
www.grundfos.com

GRUNDFOS 

The name Grundfos, the Grundfos logo, and be think innovate are registered trademarks owned by Grundfos Holding A/S or Grundfos A/S, Denmark. All rights reserved worldwide. © Copyright Grundfos Holding A/S